

Cable Tie Accessories 扎带附件

TieMounts 定位片

Description

Available in either screw or self adhesive mounting this range offers a safe and secure fixing base.

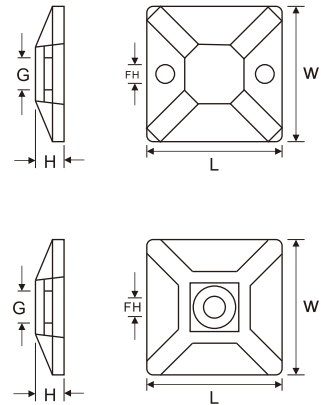
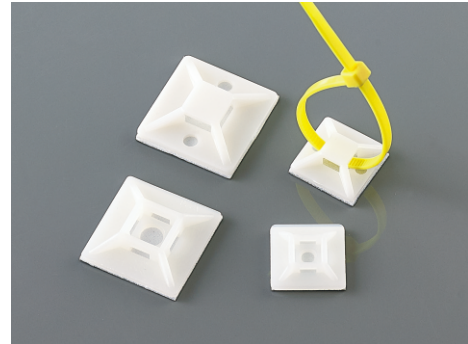
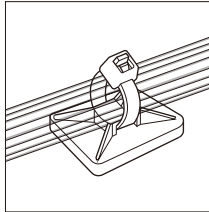
Simple to install with a screw or bolt they give excellent security, particularly in areas of high vibration.

The Self Adhesive mounts are designed to offer the maximum surface area, and in conjunction with the specially developed adhesive ensures that a very high pull-off force is achieved.

Material: UL94V-2 approved PA 6.6

Application

Designed specifically for holding heavier cable bundles these mounting bases can be used in many industries from agriculture to truck manufacture. They offer a very secure fixing and can be used with a wide variety of heavy duty cable ties up to 8mm wide.



'4-Way' Enter Available Size



Part No. 货号	Item Code 型号	Length (L) 长度	Width (W) 宽度	Height (H) 高度	Fixing Hole (FH) 孔径	Strap Width Max.(G) 最大扎带宽度
		mm	mm	mm	Ø(mm)	mm
6400	TM-20	20	20	6.1	2.9	5.0
6402	TM-25	25	25	7.5	3.5	6.2
6404	TM-30	30	30	8.7	4.5	6.4
6406	TM-35	40	40	6.4	/	10.8

'2-Way' Enter Available Size

Part No. 货号	Item Code 型号	Length (L) 长度	Width (W) 宽度	Height (H) 高度	Fixing Hole (FH) 孔径	Strap Width Max.(G) 最大扎带宽度
		mm	mm	mm	Ø(mm)	mm
6408	MB-1	19	19	4.6	/	4.4
6410	MB-2	28	28	6.4	5.5	5.4

Screw Tie Mounts 扎带固定座

Description

Simple to install with a screw or bolt they give excellent security.

Material: UL94V-2 approved PA 6.6

Available Size



Part No. 货号	Item Code 型号	Length (L) 长度	Width (W) 宽度	Height (H) 高度	Fixing Hole (FH) 孔径	Strap Width Max.(G) 最大扎带宽度
		mm	mm	mm	Ø(mm)	mm
6420	STM-1S	13	7	5.8	3.3	3.8
6422	STM-1	15	10	7	3.4	5.0
6424	STM-1L	22	15	9	6	5.8
6426	STM-2	28.8	15	11.8	5.2	9.3

